

# DOUBLE PIVOT WALL MOUNT

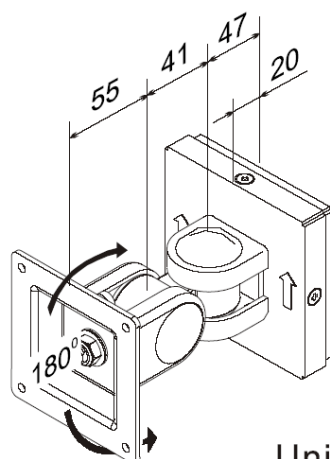
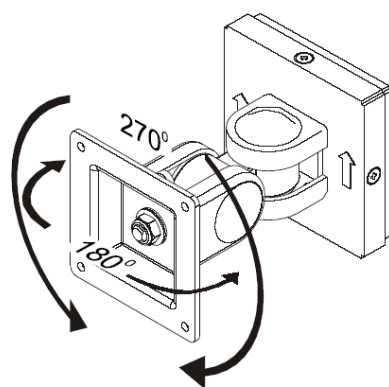


**Suggested Screen Size :**  
15" to 21"

**Weight Capacity :**  
7kg to 14kg

**Meets VESA Standards :**  
75mm x 75mm  
& 100mm x 100mm

**Warranty :**  
2 years



Unit:mm

- Adjustable up/down & left/right tilt movement
- Simple installation makes maintenance easy
- Ideal economic wall mount
- Portrait and landscape capability
- Black & grey
- Sits approx 14cm from the wall at full extension
- Double Pivot Movement

## Product Code / Description

**COMLA37**  
Double Pivot Wall Mount