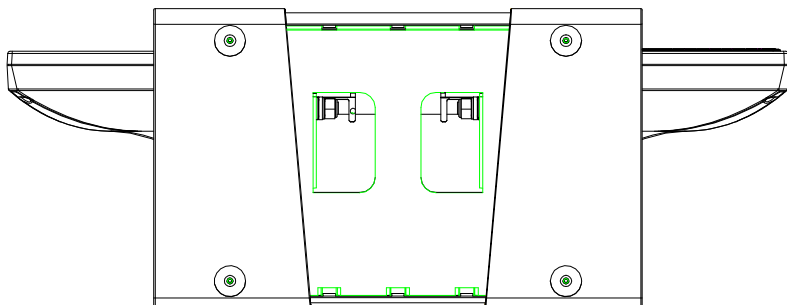
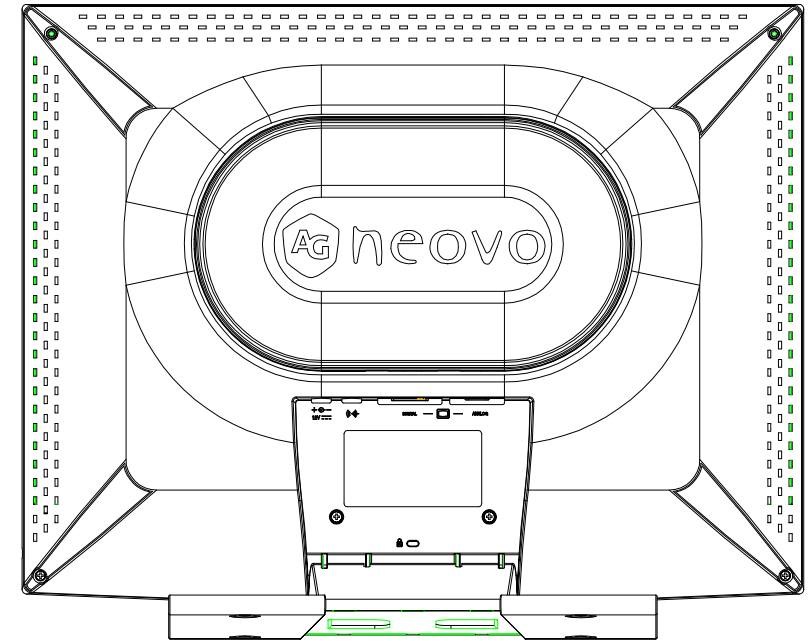
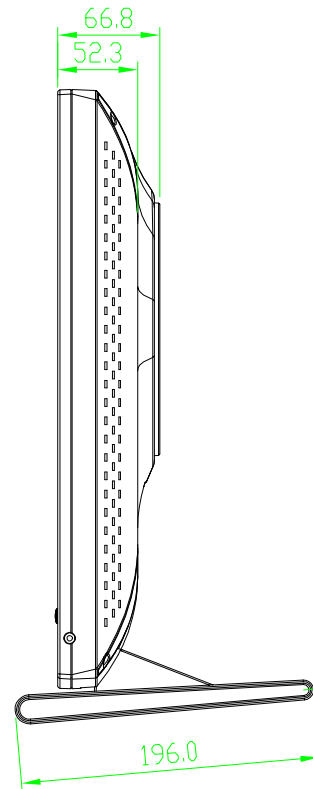
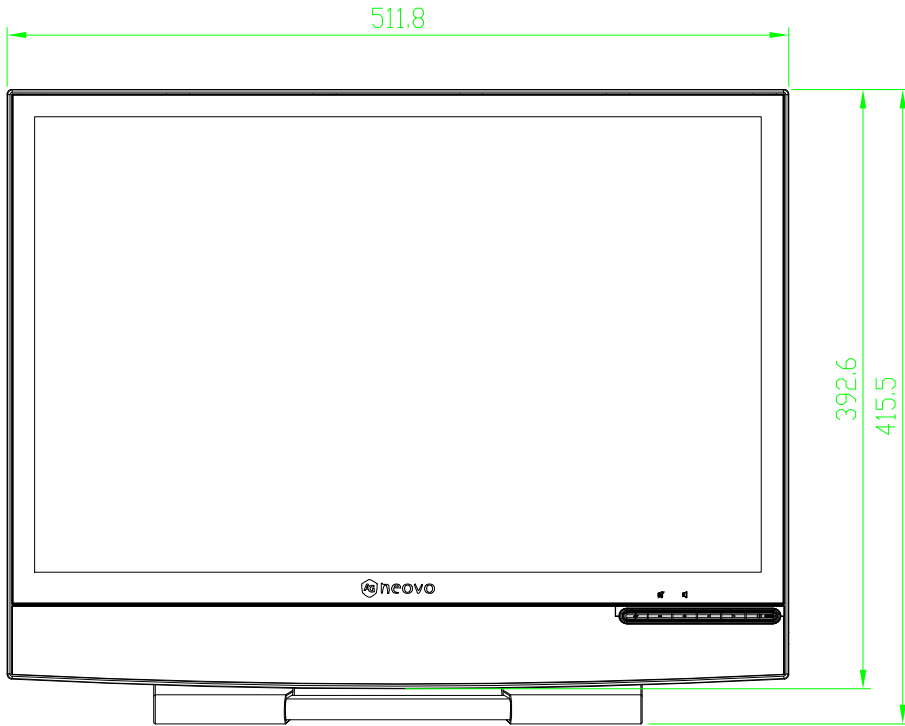
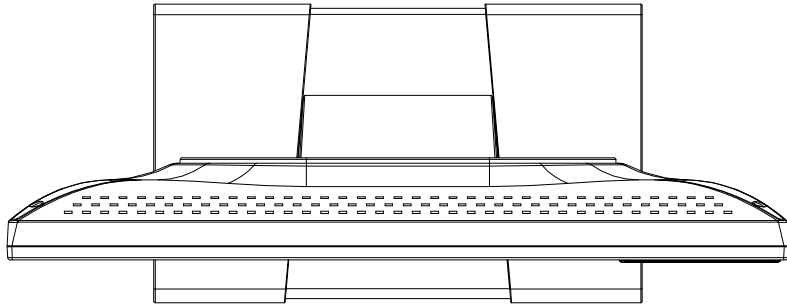


E-W22



**Net Weight : 7.9 kg (with Base)
6.7 kg (w/o Base)**